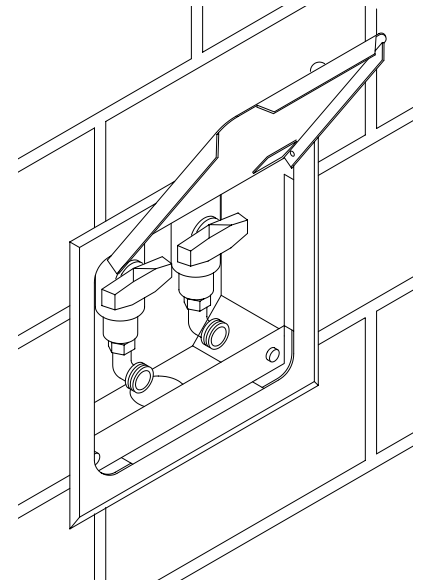




DB-Series Dialysis Supply and Waste Box



✓	MODEL NUMBER	DESCRIPTION
	DB-8190	Two valve supply dialysis box with wall flange, less door
	DB-8191	One valve supply dialysis box with wall flange, less door
	DB-8195	Two valve supply dialysis box with wall flange, door and lock
	DB-8196	One valve supply dialysis box with wall flange, door and lock

Recommended Specifications

Dialysis supply and waste box door shall be Willoughby Model No. DB-____(see table)

Box shall be fabricated from type 316 stainless steel with all seams continuous welded, and have a satin finish. Wall flange and door shall be type 304 stainless steel. Ball valves and fittings shall be PVC (polyvinyl chloride) and nylon for corrosion resistance with seals in the ball valve. Fittings shall be provided for flushing of supply line.

Technical Data

Dialysis supply:

The valve and fittings are PVC (polyvinyl chloride) and nylon. The ball type valve has o-ring seals and is securely anchored to box. The valve is furnished with a flushing fitting for connecting to the valve outlet when the supply line is flushed into the waste receptor.

Waste Box/Receptor:

All parts of the box which come into contact with waste water are fabricated using type 316 stainless steel. All seams are continuous welded and the interior of the box as well as exposed parts of the waste receptor have a satin finish. A hose bracket welded in the box will hold two discharge hoses and the waste outlet is a 2 3/8" OD stainless steel tail-piece. The waste outlet can be connected directly to a nominal 2" glass or plastic drain line with a mechanical coupling.

Wall Flange and Door:

An adjustable wall flange is provided to cover any space between the wall and box. The wall flange is securely anchored with Phillips head screws at each corner.

A door is provided with spring loaded pin hinges, cam cylinder lock, and two keys. The wall flange and door are both type 316 stainless steel.

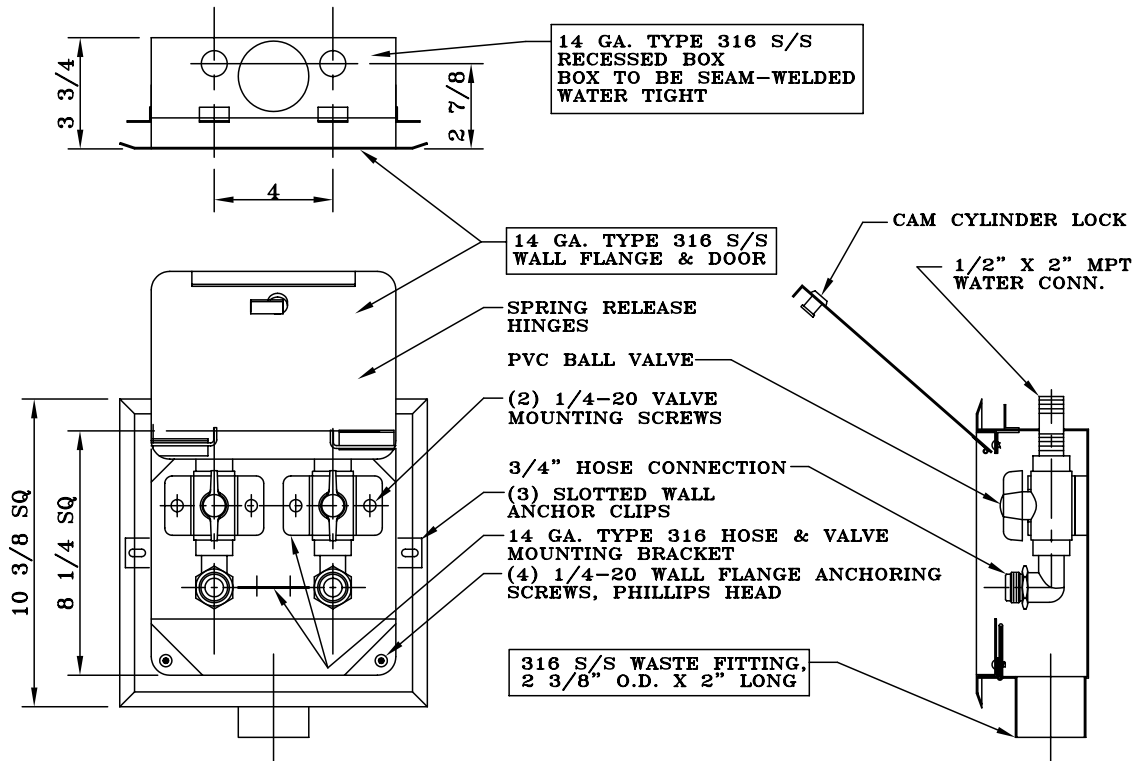
Visit our website at <http://www.willoughby-ind.com>

2210 West Morris Street • P.O. Box 21217 • Indianapolis, IN 46221

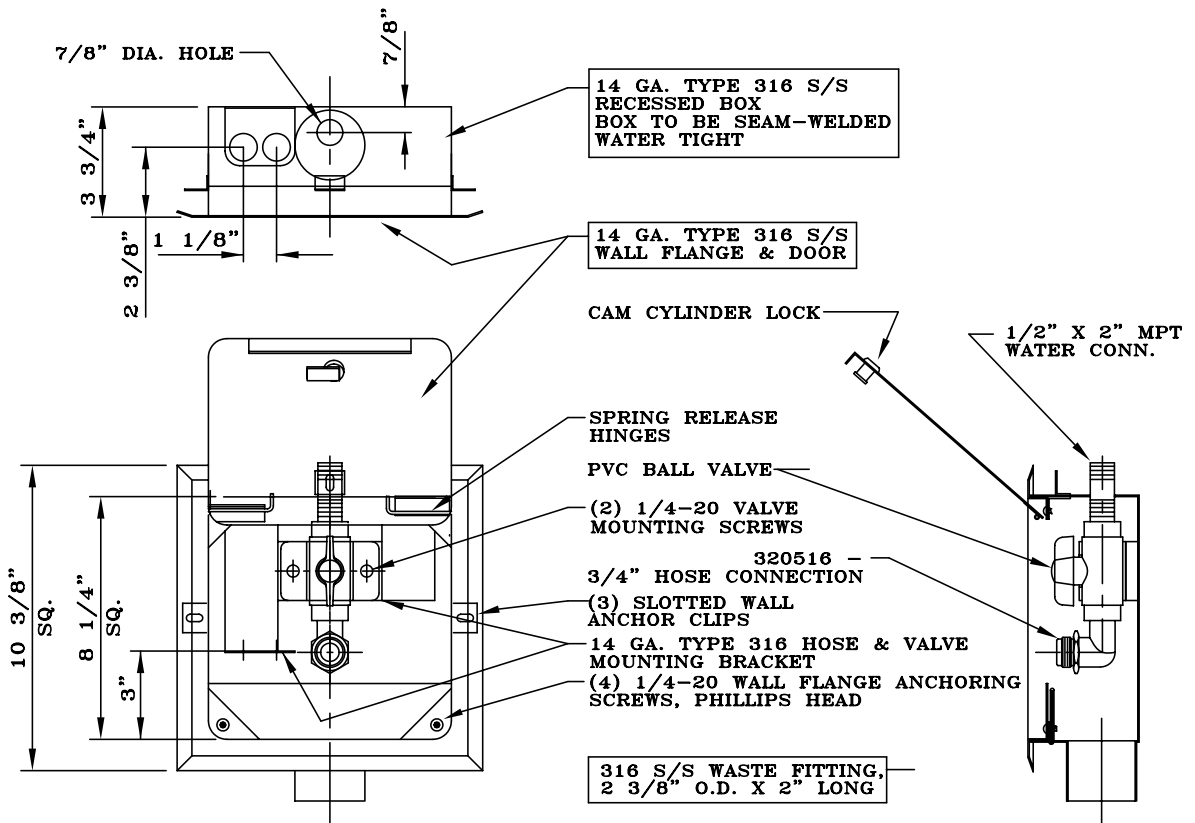
(317) 638-2381 • Fax: (317) 638-6110 • (800) 428-4065

MODEL NUMBER AND OPTIONS:

DB-8195



DB-8196



Willoughby Industries, Inc.

18-4

Willoughby reserves the right to make changes in design and dimensions without formal notice and without incurring obligation. Verify all dimensions and tolerances with factory prior to using for any purpose.

© Rev. 9/2005