

WRS-BF-FA-Series Front Mounted Recessed Handicap Shower Panel w/ Hand Held Showerhead

✓	MODEL NUMBER	VALVE TYPE
	WRS-PM1-PM1-BF-FA	SINGLE TEMP PNEU. METERING VALVE
	WRS-PM2-PM2-BF-FA	DUAL TEMP PNEU. METERING VALVE
	WRS-EL1-EL1-BF-FA	SINGLE TEMP ELECTRONIC
	WRS-EL2-EL2-BF-FA	DUAL TEMP ELECTRONIC
	WRS-NV-NV-BF-FA	NO VALVE

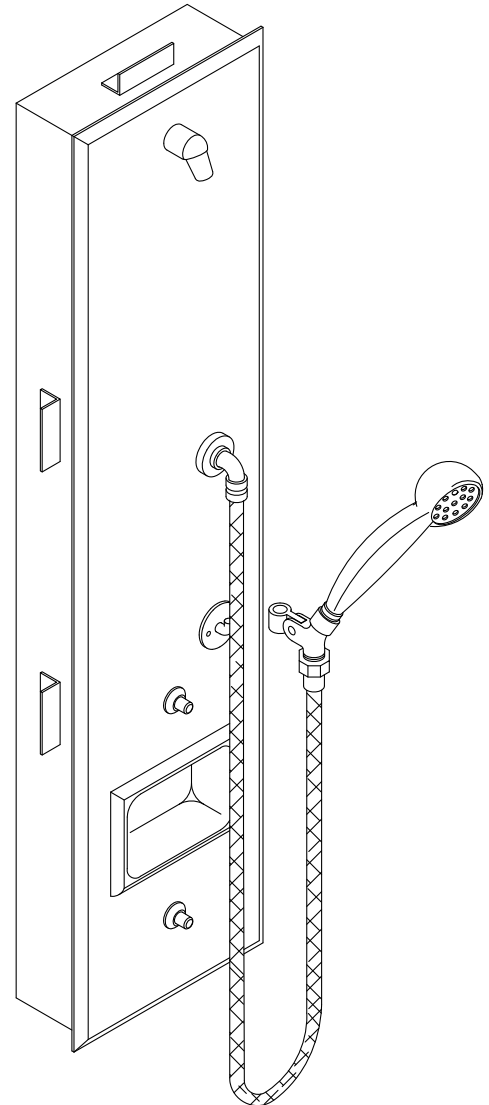
Recommended Specifications _____

Handicap recessed front access shower panel shall be Willoughby Model No. **WRS-___-___-BF-FA** (select from table above).

Shower panel shall be fabricated from 14 gauge, type 304 stainless steel with exposed stainless surfaces polished to a #4 satin finish. Mounting frame shall be fabricated from 18 gauge galvanized steel.

Standard equipment shall include: shower valving (as selected from table above), vandal resistant shower head (NPS), quick disconnect, vacuum breaker, hand held flex shower assembly, and fixed mounting bracket.

Shower panel shall attach to mounting frame with vandal resistant stainless steel screws. Unit requires no chase area for installation and maintenance.



Visit our website at <http://www.willoughby-ind.com>

2210 West Morris Street • P.O. Box 21217 • Indianapolis, IN 46221

(317) 638-2381 • Fax: (317) 638-6110 • (800) 428-4065

MODEL NUMBER AND OPTIONS:

1.) Base Model Number:

- WRS-BF-FA Front mounted recessed Handicap Shower

2.) Valve Selection:

- NV No Valve
 PM1 Single Temp. Pneu. Metering
 PM2 Dual Temp. Pneu. Metering
 EL1 Single Temp. Electronic
 EL2 Dual Temp. Electronic

3.) Options:

- NPS Non-Adjustable Penal Shower Head (Standard)
 APS Adjustable Penal Shower Head
 CSH Anti-Suicide Shower Head
 PBH Anti-Suicide Pushbutton (Pneumatic)
 RD Recessed mounted soap dish
 SD Surface mounted soap dish

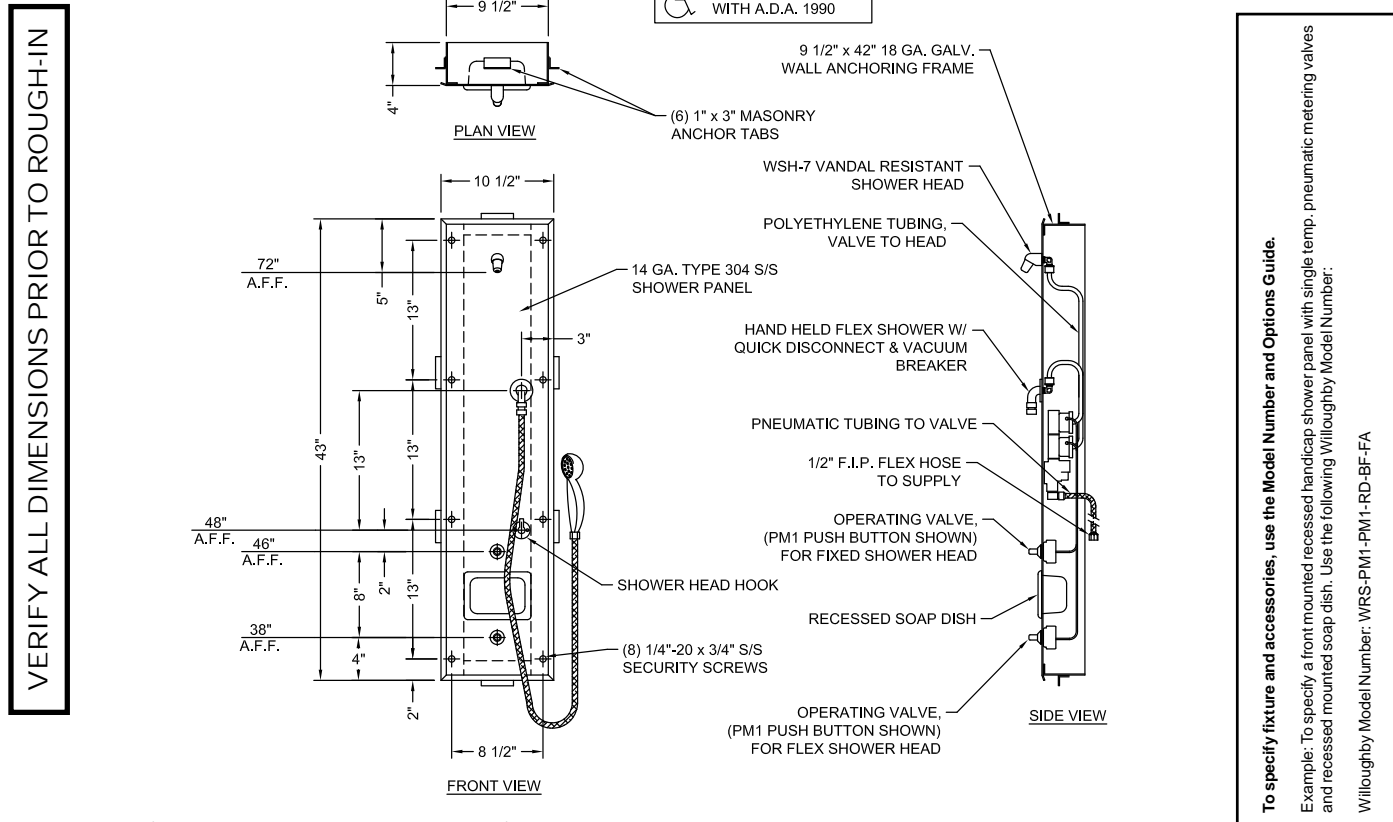
Other: _____
 Other: _____

Valve Manifold Options:

Pneumatic or Electronic only:

- MA2

Drawing Approved For Manufacturing By: _____ Date: _____ Company: _____
 Wall Thickness _____ Wall Type _____



Willoughby Industries, Inc.