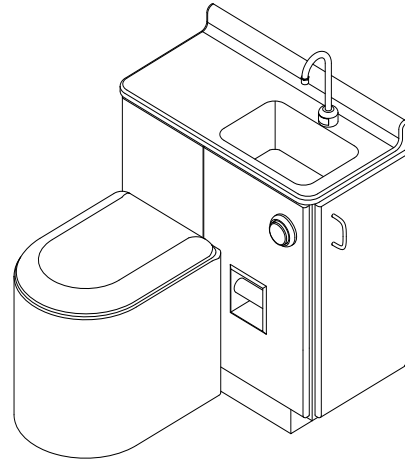


## WH-2800 Patient Care Unit

✓	MODEL NUMBER	TOILET LOCATION	CABINET MOUNTING
	WH-2800-L	LEFT	FLOOR
	WH-2800-R	RIGHT	FLOOR



Note: May be shown with optional features

### Recommended Specifications

Modular Patient Care Unit in decorator cabinet shall be Willoughby Model WH-2800. Unit shall be free standing with type 304-welded stainless steel cabinet and the following equipment:

- Cabinet doors exterior finished in solid polymer
- Doors with rounded edges
- Recessed Hooded Toilet Tissue Holder
- Aquasurf® Solid Surface countertop and lavatory
- Lavatory integral to countertop
- 10" gooseneck spout with 4" wrist blade handles
- Siphon jet type toilet has elongated bowl, integral flushing rim, and white hinged seat cover and shall be a minimum of 17" AFF and support a 5,000 lb. static load\*.

#### Cabinet

Cabinet is welded stainless steel; cabinet exterior panels and doors are solid polymer. Interior finishes are satin finish stainless steel. Doors have rounded edges to enhance patient and staff safety. Hooded Toilet tissue holder is conveniently located within cabinet front panel. Standard countertop is Aquasurf® Solid Surface. Optional side door mounted flex hose bed pan washer and/or dialysis box with drain.

#### Lavatory

Lavatory is an integral solid surface bowl 10" x 8" x 6" deep. Furnished with 10" rigid gooseneck, deck mounted hot and cold faucet with 4" Wristblade handles, and grid drain assembly. Traps and stops complying with local codes to be furnished by plumbing contractor.

#### Toilet

Standard toilet shall include: elongated toilet bowl with contoured seat, integral crevice-free self-draining flushing rim with positive afterfill and fully enclosed 3" O.D. trap which shall maintain a minimum 3 1/2" seal and pass a 2 5/8" ball. Toilet shall be siphon jet type which requires 25 psi minimum flushing pressure.

Fixture shall withstand loadings up to 2,000 lbs. with no measurable deflection and loadings up to 5,000 lbs. with no permanent damage.

Anchoring shall be through the front and through the floor (anchoring hardware provided by others). Unit requires no chase area for installation and maintenance.

Note: For 1.6 gallon flush, unit will pass a 2 1/8" ball.

*On back to back fixture installations, do not use standard cross type waste fittings: cross flow may result due to blowout jet action. Use sanitary or offset type waste fittings.*

Visit our website at <http://www.willoughby-ind.com>

2210 West Morris Street • P.O. Box 21217 • Indianapolis, IN 46221

(317) 638-2381 • Fax: (317) 638-6110 • (800) 428-4065

## MODEL NUMBER AND OPTIONS:

### 1.) Patient Care Module Number

- WH2800-R (Right Hand Toilet) – (Sink Left)
- WH2800-L (Left Hand Toilet) – (Sink Right)

### 2.) Toilet Fixture (Stainless Steel)

- FM Floor Mount, Wall Outlet
- FO Floor Mount, Floor Outlet
- TS Top Spud (Standard)
- TWE Toilet Waste Extension (Wall outlet only)
- TW3 Coupling, 3" C.O. for TWE (Wall outlet only)
- TW4 Waste Connect, Floor Outlet

### 3.) Cabinet (Exterior Polymer – Indicate Color)

- AW Arctic White
- WW White / White
- LG Light Grey
- SN Sansshade (Almond)
- SM Seafoam
- DG Dolphin Grey
- SP Sea Pearl

### 4.) Counter Top Colors:

#### Standard (Indicate Color)(AQCT)

- WG1 White Granite
- SS1 Sandstone Granite
- GG1 Grey Granite
- RC1 Red Coral (Granite)
- BG1 Black Granite
- NB1 Nocturnal Blue (Granite)
- BN1 Bone (Solid)
- GW1 Glacier White (Solid)

#### 5.) Counter Top Bowls (Matching)

- AMB-K0810 Rectangular Integral Bowl

#### Colors: Bowl (Optional)

- BBN1 Bowl - Bone
- BGW1 Bowl - Glacier White

#### Backsplash Orientation:

- 1 Back Wall Only (1 wall)
- 2 Right Hand Corner (2 wall)
- 3 Left Hand Corner (2 wall)
- 4 Alcove (3 wall)

#### 6.) Faucet

- WB 4" CC, 10" Gooseneck, Wrist Blade Handles (standard)
- FSS Sensor Spout, Center Shank
- FFP Foot Pedal, Faucet

### 7.) Other Options

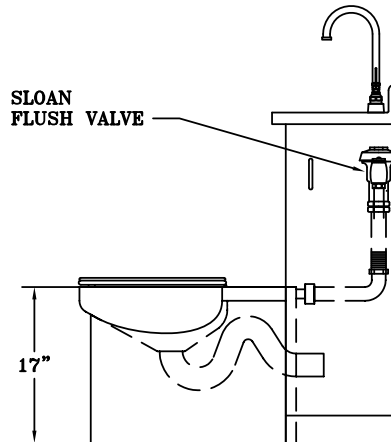
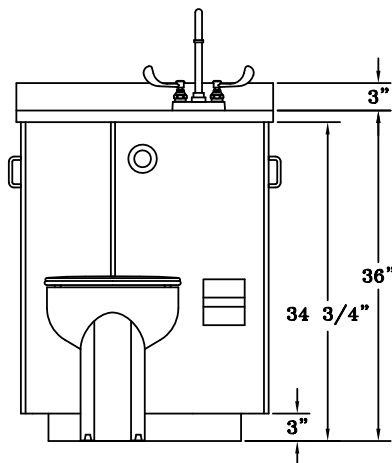
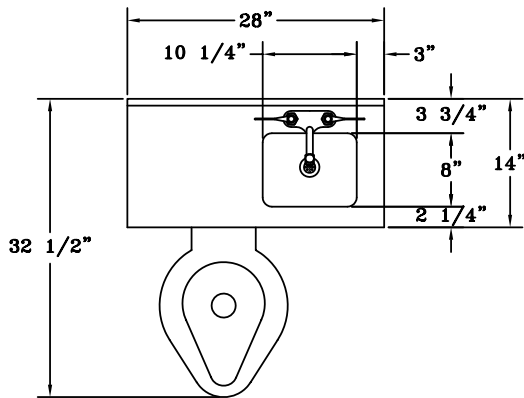
- DC White Finish (Toilet)
- SCTR Stainless steel counter w/ bowl
- BWSEV Bedpan Washer, Elevated Valve
- BWSEV-VC Bedpan Washer, Elevated Volume Control Valve
- BWFP Foot Pedal, BedpanWasher Valve
- BL Bed Pan Lugs
- LHS Lavatory hose spray
- LFN Laminar Flow nozzle
- SDB Integral Cabinet Single Valve Dialysis Box
- DDB Integral Cabinet Dual Valve Dialysis Box
- SGB Swing Down Grab Bar (35")
- WGB Wall Grab Bar (36")
- FGB Floor Mount Grab Bar
- RCC Roll Away Closet Cover (Exam Seat)

### 8.) Code Variances

- TSC Toilet Seat w/cover
- IVB Inline Vacuum Breaker
- PCP P-trap w/clean out plug
- CVB-U Continuous Pressure Vacuum Breaker
- TMV-U Thermostatic Mixing Valve
- MG-S 1/2"x 3/8" Supply Stops
- MG-T 1/2" 17ga P-Trap
- DB-DRN Dialysis Box Drain/Trap
- RPZ Reduced Pressure Zone Check

Drawing Approved For Manufacturing By: \_\_\_\_\_ Date: \_\_\_\_\_ Company: \_\_\_\_\_

Wall Thickness: \_\_\_\_\_ Wall Type: \_\_\_\_\_



VERIFY ALL DIMENSIONS PRIOR TO ROUGH-IN

## Willoughby Industries, Inc.