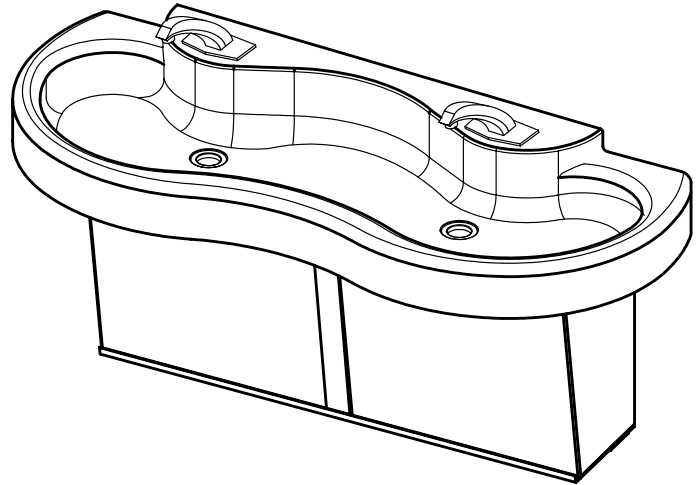


AquaWave® 2 Station Lavatory System for Deck Mounted Faucets



(Shown with optional faucets)

✓	MODEL NUMBER	NUMBER OF STATIONS	PEDESTAL TYPE
	WAW-2322-DMF	2	WALL

Recommended Specifications

Solid surface washfountain shall be Willoughby AquaWave™ Model No. **WAW-2322-DMF**.

AquaWave® Lavatory System shall accommodate from 1 to 2 users simultaneously. The lavatory system bowl and pedestal panels shall be constructed of Aquasurf® molded cast polymer densified solid surface material composed of polyester/acrylic resin, UV stabilizer, aluminum trihydrate and mineral fillers. Exposed stainless steel surfaces shall be polished to a satin finish. The drain shall be constructed of heavy gauge stainless steel.

Vandal Resistance:

Valves (by others), water supplies, and waste connections are concealed within the pedestal. The pedestal panels are removable and secured with vandal resistant security screws. The Aquasurf® solid surface material is resistant to stains, impact, and burns. Surface damage can be easily repaired with everyday cleansers and/or fine grit abrasives.

ADA, UFAS, TAS, and ANSI Compliant:

When the lavatory system is mounted at the standard 34" rim height it is designed to comply with all applicable ADA, UFAS, TAS, and ANSI Z124.3 and Z124.6 accessibility guidelines.

Optional Features:

AquaWave® Lavatory Systems also offer liquid soap dispensers as optional accessories. AquaWave® Lavatory Systems can also be mounted at juvenile rim height (Low Profile Pedestal kit required to meet accessibility guidelines). A floor kit is available for an installation that requires an on-floor pedestal. Sloan Optima® faucets are available as options (supplied uninstalled).*

**Note: Plug-in transformer must be used with a ground fault interrupter (GFCI) receptacle to help prevent possible electrical shock.*

Visit our website at <http://www.willoughby-ind.com>

2210 West Morris Street • P.O. Box 21217 • Indianapolis, IN 46221

(317) 638-2381 • Fax: (317) 638-6110 • (800) 428-4065

MODEL NUMBER AND OPTIONS:

1.) Lavatory Model:

- WAW AquaWave™

2.) Base Model Number:

- 2322-DMF 2-Sta. for Deck Mtd. Faucet

3.) Valve Selection:

- NV Faucet by Others
 SF1 (2) Sloan® ETF 600 Faucets
 SF2 (2) Sloan® EBF 650 Faucets
 SF3 (2) Sloan® ETF 80 Faucets
 SF4 (2) Sloan® EBF 85 Faucets

4.) Pedestal Type:

- FLR Floor Kit
 LP Low Profile Pedestal

5.) Solid Surface Color:

- B1 Bone
 GW1 Glacier White
 GG1 Grey Granite
 SS1 Sandstone
 WG1 White Granite
 BG1 Black Granite
 NB1 Nocturnal Blue
 RC1 Red Coral
 SG1 Sea Green

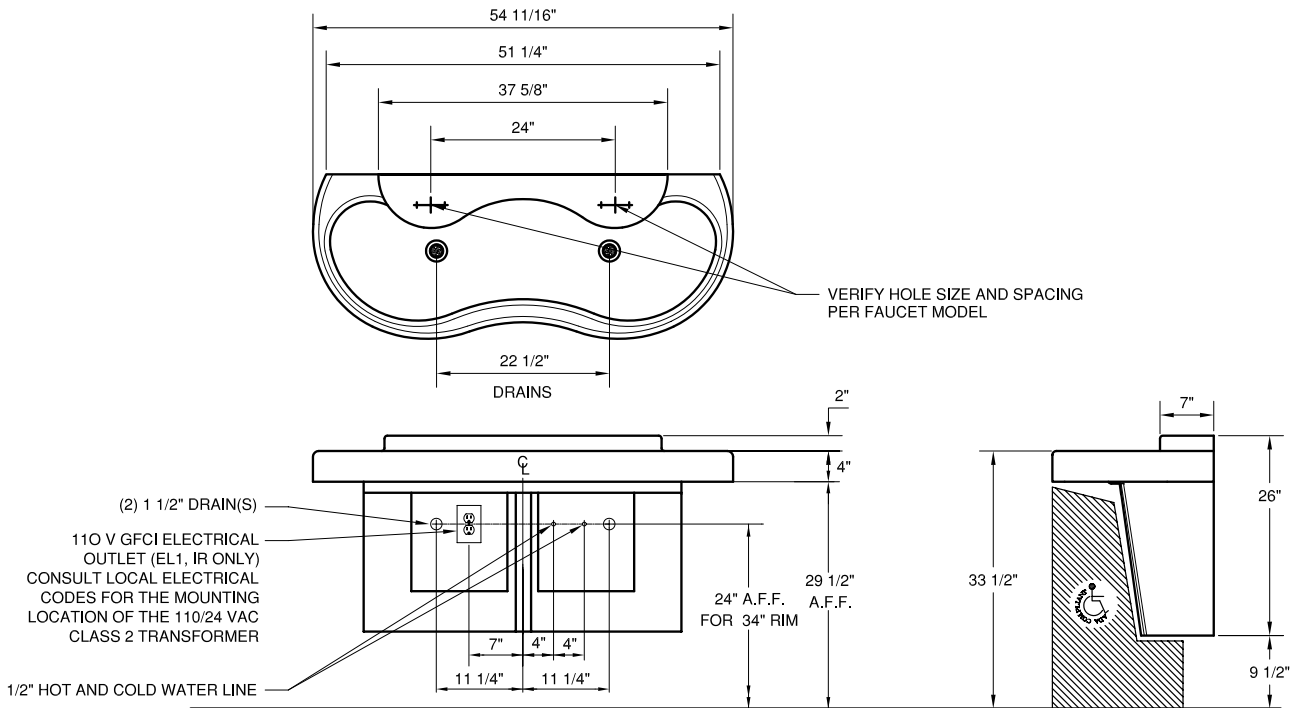
6.) Options:

- TAS Texas Accessibility Standards
 JR Junior Height (28" Rim Height)
 (LP Pedestal Required)
 Other _____
 Other _____

To specify fixture and accessories, use the Model Number and Options Guide.
 Example: To specify an AquaWave 2 Station Lavatory System for Deck Mounted Faucet with Sloan ETF 600 faucets, in Sandstone color, use the following Willoughby Model Number:
 Willoughby Model Number: WAW-2322-DMF-SF1-L-P-SS1

Drawing Approved For Manufacturing By: _____ Date: _____ Company: _____
 Wall Thickness: _____ Wall Type: _____

VERIFY ALL DIMENSIONS PRIOR TO ROUGH-IN



Willoughby Industries, Inc.