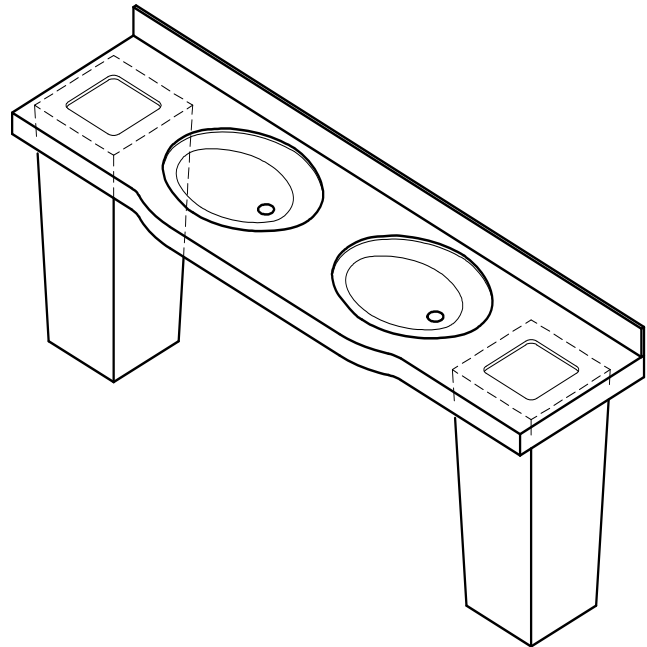


AquaDeck Lavatory Deck 2260 Series

✓	MODEL NUMBER	NUMBER OF BOWLS	OVERALL SIZE
	WAD-2260-1	1	30"x 22"
	WAD-2260-2	2	60"x 22"



(May show some options)

Recommended Specifications

Solid surface lavatory deck shall be Willoughby Aquasurf® Model No. WAD-2260-___ (Select from table above).

The lavatory deck shall be constructed of Aquasurf® molded cast polymer densified solid surface material composed of polyester/acrylic resin, UV stabilizer, aluminum trihydrate and mineral fillers. Double station lavatory deck with integral back splash, integral contoured front apron, design optional lavatory deck extensions, and integral side aprons.

The Aquasurf® solid surface material is resistant to stains, impact and burns. Surface damage can be easily repaired with everyday cleansers and/or fine grit abrasives.

Unit supplied with overflow in basin and hole for 1 1/4" pop-up drain.

Unit to be supported by wall carriers, supplied by others. Optional wall brackets are available.

ADA, TAS, UFAS and ANSI Compliant:

When the deck is mounted at standard 34" rim height it complies with applicable ADA, TAS, UFAS and ANSI Z124.3 and Z124.6 accessibility guidelines.

Optional Features:

Aquasurf® lavatory decks offer liquid soap dispensers and stainless steel waste receptacles as optional accessories. Aquasurf® lavatory decks can also be supplied with a rim height of 28" for use by juveniles.

Visit our website at <http://www.willoughby-ind.com>

2210 West Morris Street • P.O. Box 21217 • Indianapolis, IN 46221
(317) 638-2381 • Fax: (317) 638-6110 • (800) 428-4065

MODEL NUMBER AND OPTIONS:

1.) Lavatory Deck:

- WAD-2260-1
- WAD-2260-2
- WAD-2260-3
- WAD-2260-4

2.) Faucet Drilling:

- 4CC 4" Centerset
- 8CC 8" Centerset
- 1CC Center Shank

3.) Solid Surface Color:

- B1 Bone (Standard)
- GW1 Glacier White (Standard)
- GG1 Gray Granite (Standard)
- SS1 Sandstone (Standard)
- WG1 White Granite (Standard)
- BG1 Black Granite
- NB1 Nocturnal Blue
- RC1 Red Coral
- SG1 Sea Green

4.) Edge Style:

- BN Bullnose
- BV Beveled

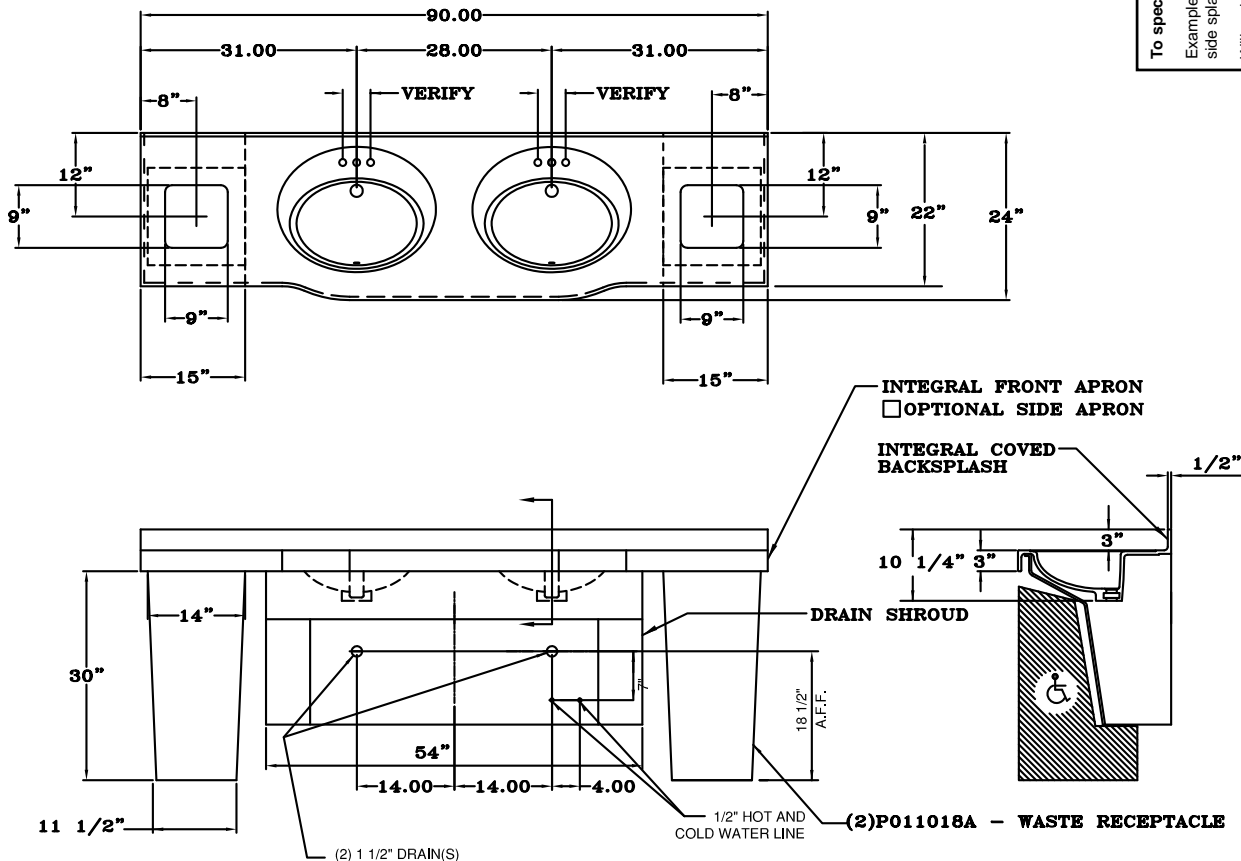
5.) Options:

- LSD Liquid Soap Dispenser
- JR Junior Height (28" Rim Height)
- WADSS-BRKT Reversible Angle Bracket
- WADSS-0422R Right Side Splash
- WADSS-0422L Left Side Splash
- WAD-APIS-422R Integral Right Side Apron
- WAD-APIS-422L Integral Left Side Apron
- W-SS-DS54 54" Modular Section Drain Shroud
- W-SS-TR Stainless Steel Waste Receptacle
- Other _____
- Other _____

To specify fixture and accessories, use the Model Number and Options Guide.

Example: To specify a 2 station 2260 series lavatory deck with 8" centerset faucet holes, Bone color, beveled edge, left side splash, drain shroud, and trash receptacle use the following Willoughby Model Number:
Willoughby Model Number: WAD-2260-2-8CC-B1-BV-WADSS-0422L-WSS-DS54-WSS-TR

Drawing Approved For Manufacturing By: _____ Date: _____ Company: _____
Wall Thickness: _____ Wall Type: _____



Do Not Use For Rough-In!

Willoughby Industries, Inc.