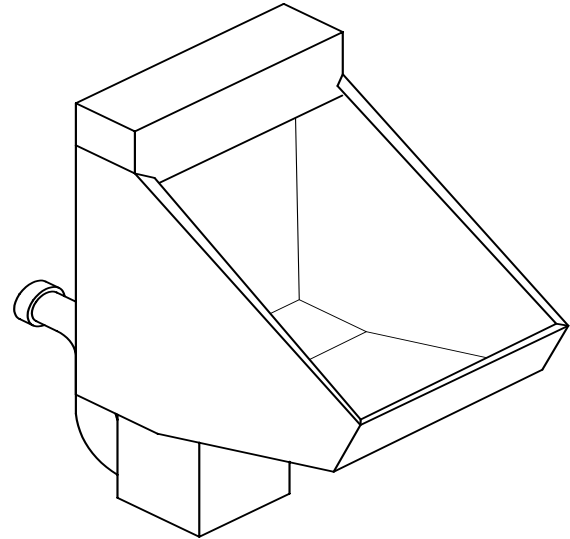


UW-1814-BJ Series Single Person Trough Urinal Blowout Type

✓	MODEL NUMBER	FLUSH TYPE	INLET LOCATION
	UW-1814-BJ-BS	BLOWOUT	BACK
	UW-1814-BJ-TS	BLOWOUT	TOP



Recommended Specifications

Wall hung single person trough urinal shall be Willoughby Model No. **UW-1814-BJ-__** (select from table above).

Fixture shall be fabricated from 14 gauge, type 304 stainless steel. The construction shall be all-welded, with exposed stainless surfaces polished to a #4 satin finish.

Standard equipment shall include: full perimeter 360 de-

gree flushing rim and integral stainless steel p-trap. Urinal shall be blowout type which requires 25 psi minimum flushing pressure. Trap shall be fully enclosed, maintain a 3" seal and pass a 1.9" ball.

Anchoring shall be by standard 4-point system: threaded rods, nuts and washers furnished for walls up to 8" thick. Unit requires chase area for installation and maintenance.

Visit our website at <http://www.willoughby-ind.com>

2210 West Morris Street • P.O. Box 21217 • Indianapolis, IN 46221

(317) 638-2381 • Fax: (317) 638-6110 • (800) 428-4065

MODEL NUMBER AND OPTIONS:

1.) Urinal Waste Location:

UW Wall Outlet

2.) Base Model Number:

1814 Single Person Trough Urinal

3.) Flush Type:

BJ Blow-Jet

4.) Inlet Location:

BS Back Spud

TS Top Spud

5.) Options:

MT Metal Template

WS Wall Sleeve

FV Flush Valve

FVC Flush Valve Cover (Top Spud)

FVT Flush Valve Thru-Wall Connection

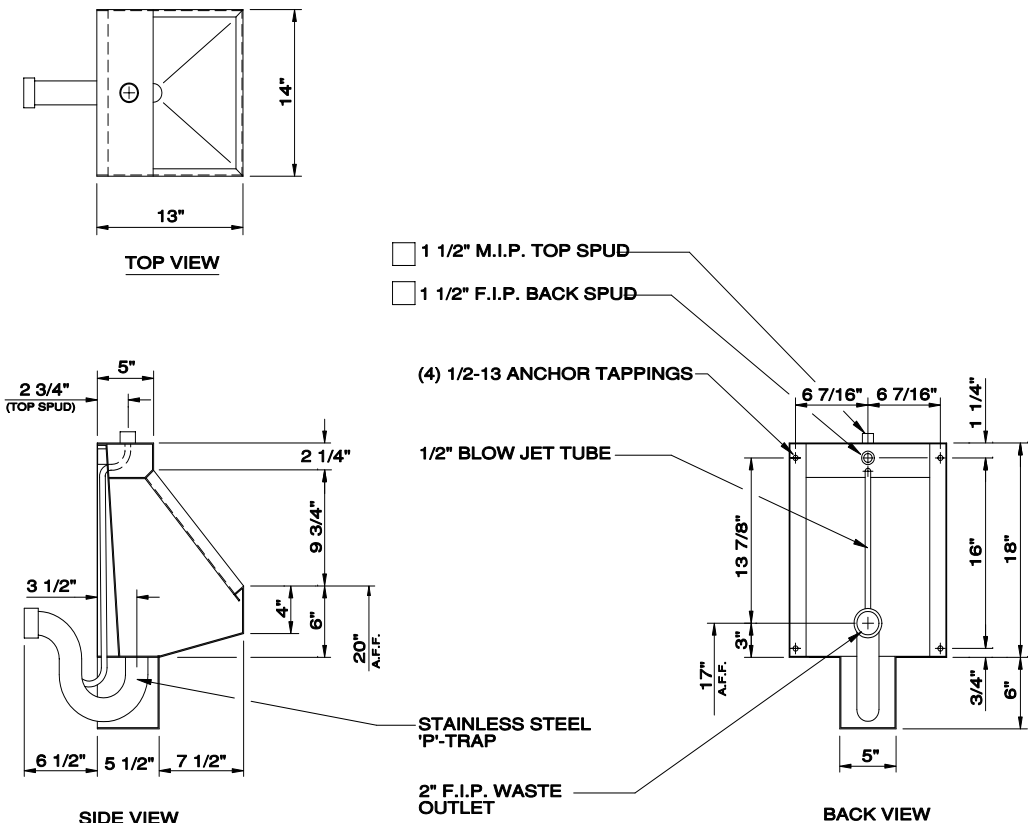
AP Flush Valve Access Panel

Other: _____

Other: _____

Drawing Approved For Manufacturing By: _____ Date: _____ Company: _____
 Wall Thickness: _____ Wall Type: _____

VERIFY ALL DIMENSIONS PRIOR TO ROUGH-IN



P847003B
 UW-1814-BJ URINAL

To specify fixture and accessories, use the Model Number and Options Guide.
 Example: To specify a UW-1814-BJ single person blow-out trough urinal with back spud.
 Use the following Willoughby Model Number:
 Willoughby Model Number: UW-1814-BJ-BS

Willoughby Industries, Inc.