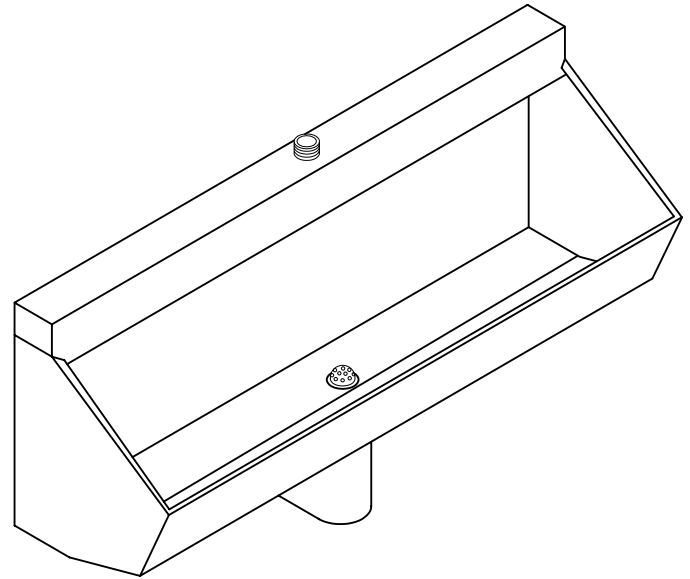


UW-1800 Series Multi-Person Trough Urinal



✓	MODEL NUMBER	URINAL LENGTH	INLET LOCATION
	UW-1836-BS	36"	BACK
	UW-1836-TS	36"	TOP
	UW-1848-BS	48"	BACK
	UW-1848-TS	48"	TOP
	UW-1860-BS	60"	BACK
	UW-1860-TS	60"	TOP
	UW-1872-BS	72"	BACK
	UW-1872-TS	72"	TOP
	UW-1896-BS	96"	BACK
	UW-1896-TS	96"	TOP

Recommended Specifications

Wall hung multi-person urinal shall be Willoughby Model No. **UW-18__-__** (select from table above).

Fixture shall be fabricated from 14 gauge, type 304 stainless steel. The construction shall be all-welded, with exposed stainless surfaces polished to a #4 satin finish.

Standard equipment shall include: full perimeter 360 degree flushing rim, integral stainless steel p-trap, and bee-

hive strainer. Urinal shall be washout type, which requires 25 psi minimum flushing pressure. Trap shall be fully enclosed (with removable access cover), maintain a 3" seal and pass a 1.9" ball.

Anchoring shall be by standard 8-point system: threaded rods, nuts and washers furnished for walls up to 8" thick. Unit requires chase area for installation and maintenance.

Visit our website at <http://www.willoughby-ind.com>

2210 West Morris Street • P.O. Box 21217 • Indianapolis, IN 46221

(317) 638-2381 • Fax: (317) 638-6110 • (800) 428-4065

MODEL NUMBER AND OPTIONS:

1.) Urinal Waste Location:

- UW Wall Outlet

2.) Base Model Number:

- 1836 36" Multi-Person Washout Urinal
- 1848 48" Multi-Person Washout Urinal
- 1860 60" Multi-Person Washout Urinal
- 1872 72" Multi-Person Washout Urinal
- 1896 96" Multi-Person Washout Urinal

3.) Inlet Location:

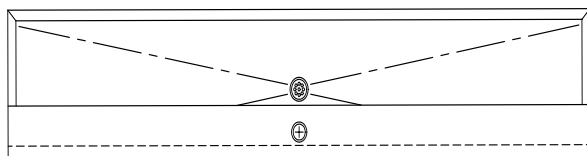
- BS Back Spud
- TS Top Spud

4.) Options:

- M.T Metal Template
- WS Wall Sleeve
- FV Flush Valve
- FVC Flush Valve Cover (Top Spud)
- FVT Flush Valve Thru-Wall Connection (Requires Back Spud Option)
- AP Flush Valve Access Panel
- Other: _____
- Other: _____

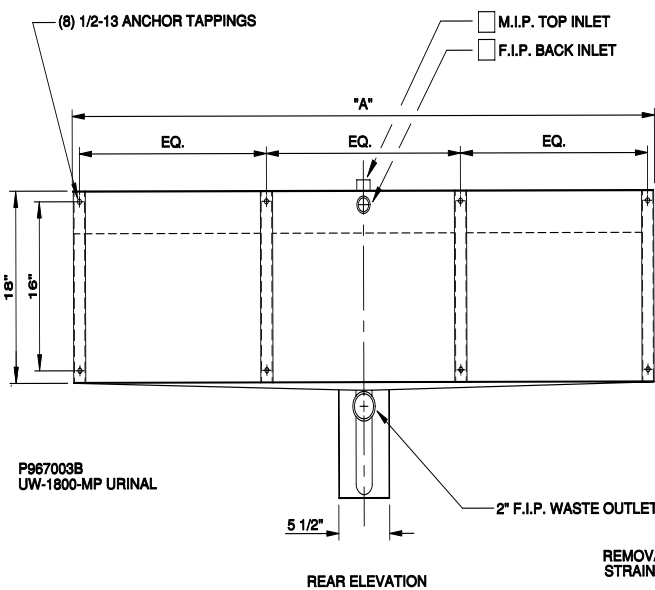
Drawing Approved For Manufacturing By: _____ Date: _____ Company: _____
 Wall Thickness: _____ Wall Type: _____

VERIFY ALL DIMENSIONS PRIOR TO ROUGH-IN

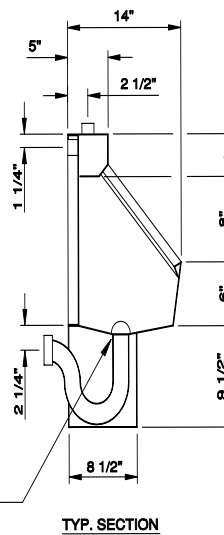


PLAN VIEW

✓	WILLOUGHBY MODEL NO.	DIM "A"	INLET
✓	UW-1836	36"	3/4"
✓	UW-1848	48"	3/4"
✓	UW-1860	60"	3/4"
✓	UW-1872	72"	1 1/2"
✓	UW-1896	96"	1 1/2"



REAR ELEVATION



TYP. SECTION

P967003B
UW-1800-MP URINAL

REMOVABLE BEE HIVE STRAINER

To specify fixture and accessories, use the Model Number and Options Guide.

Example: To specify a 36" multi-person trough urinal with back spud. Use the following Willoughby Model Number: Willoughby Model Number: UW-1836-BS

Willoughby Industries, Inc.