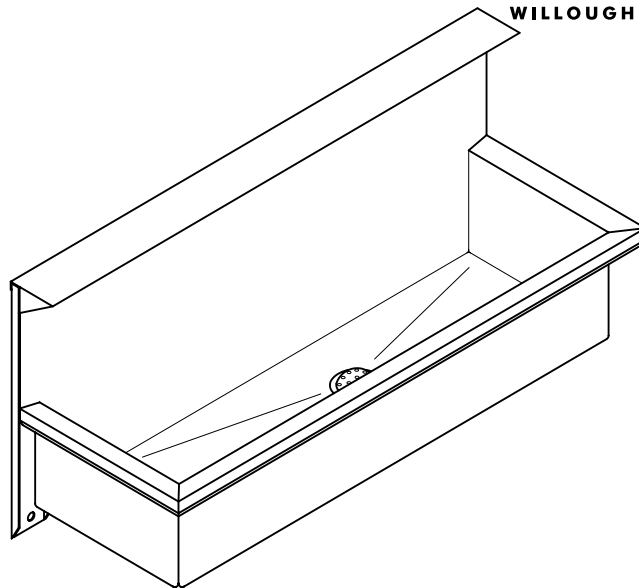


## UW-1800-FA Series Front Mounted Multi-Person Trough Urinal



✓	MODEL NUMBER	URINAL LENGTH	INLET SIZE
	UW-1836-FA	36"	3/4"
	UW-1848-FA	48"	3/4"
	UW-1860-FA	60"	3/4"
	UW-1872-FA	72"	3/4"
	UW-1896-FA	96"	1"

### Recommended Specifications

---

Front mounted multi-person trough urinal shall be Willoughby Model No. **UW-18\_\_-FA** (select from table above).

Fixture shall be fabricated from 14 gauge, type 304 stainless steel. The construction shall be all-welded, with exposed stainless surfaces polished to a #4 satin finish.

Standard equipment shall include: beehive strainer with tailpiece, and full length back wall flushing chamber with 1/4" dia holes spaced 1" apart.

Anchoring shall be from z-clip and anchoring holes provided. Anchoring hardware by others. Unit requires no chase area for installation and maintenance.

Visit our website at <http://www.willoughby-ind.com>

2210 West Morris Street • P.O. Box 21217 • Indianapolis, IN 46221

(317) 638-2381 • Fax: (317) 638-6110 • (800) 428-4065

## MODEL NUMBER AND OPTIONS:

**1.) Urinal Waste Location:**

- UW Wall Outlet

**2.) Base Model Number:**

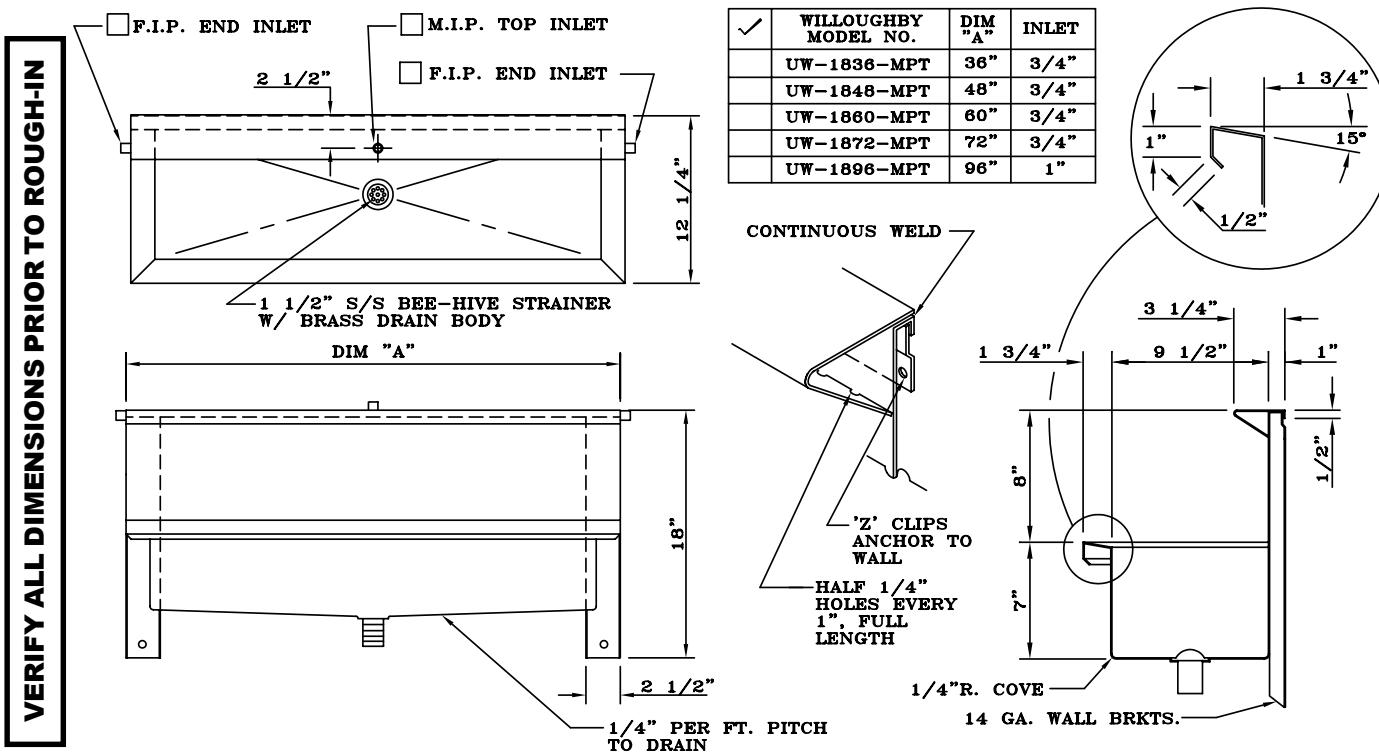
- 1836-FA 36" Multi-Person Trough Urinal
- 1848-FA 48" Multi-Person Trough Urinal
- 1860-FA 60" Multi-Person Trough Urinal
- 1872-FA 72" Multi-Person Trough Urinal
- 1896-FA 96" Multi-Person Trough Urinal

**3.) Inlet Location:**

- TS Top Spud
- LS Left Spud
- RS Right Spud

To specify fixture and accessories, use the Model Number and Options Guide.  
 Example: To specify a 36" multi-person front access trough urinal with left spud. Use the following Willoughby Model Number:  
 Willoughby Model Number: UW-1836-FA-LS

Drawing Approved For Manufacturing By: \_\_\_\_\_ Date: \_\_\_\_\_ Company: \_\_\_\_\_  
 Wall Thickness: \_\_\_\_\_ Wall Type: \_\_\_\_\_



## Willoughby Industries, Inc.