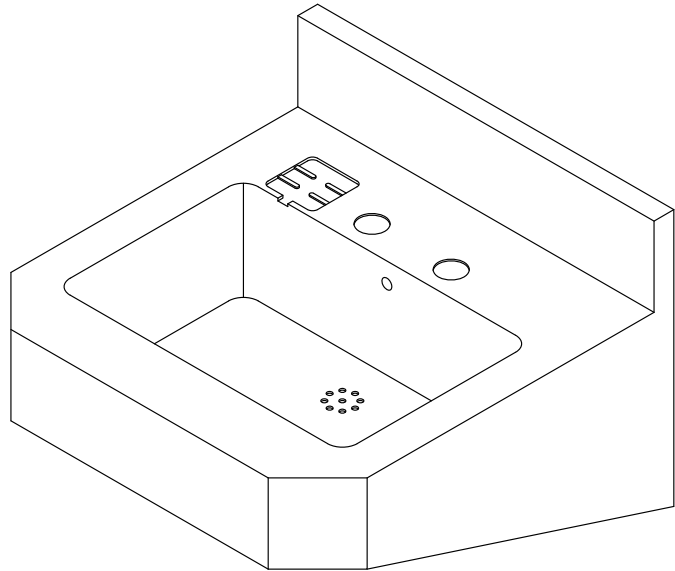


ES-1015-HC Handicap Lavatory-Commercial Exposed Trap



Recommended Specifications

Handicap lavatory shall be Willoughby Model No. **ES-1015-HC**.

Fixture shall be fabricated from 16 gauge, type 304 stainless steel. The construction shall be all-welded, with exposed stainless surfaces polished to a #4 satin finish.

Standard lavatory shall include: rectangular shaped bowl, 14 1/2" x 9 1/2" x 5 1/2" deep, fast drain with overflow vent, 4" long 1 1/2" tailpiece, and self-draining soap dish.

Anchoring shall be from the front with z-clip and anchoring holes provided. Anchoring hardware by others. Unit requires no chase area for installation or maintenance.

This product is designed to comply with the Americans with Disabilities Act (A.D.A.) and Texas Accessibility Standards (T.A.S.).

MODEL NUMBER AND OPTIONS:

1.) Lavatory Type:

ES

2.) Base Model Number:

1015-HC 18" Handicap Lavatory

3.) Spout Selection:

DMS Deck Mounted Spout

4.) Valve Selection (must specify):

NV No Valve (standard)
(Specify Hole Punching)

- Special Punching (Specify)
- (2) 1" Dia. Holes, 4" Centers
- (2) 1" Dia. Holes, 8" Centers
- (1) 1" Dia. Hole

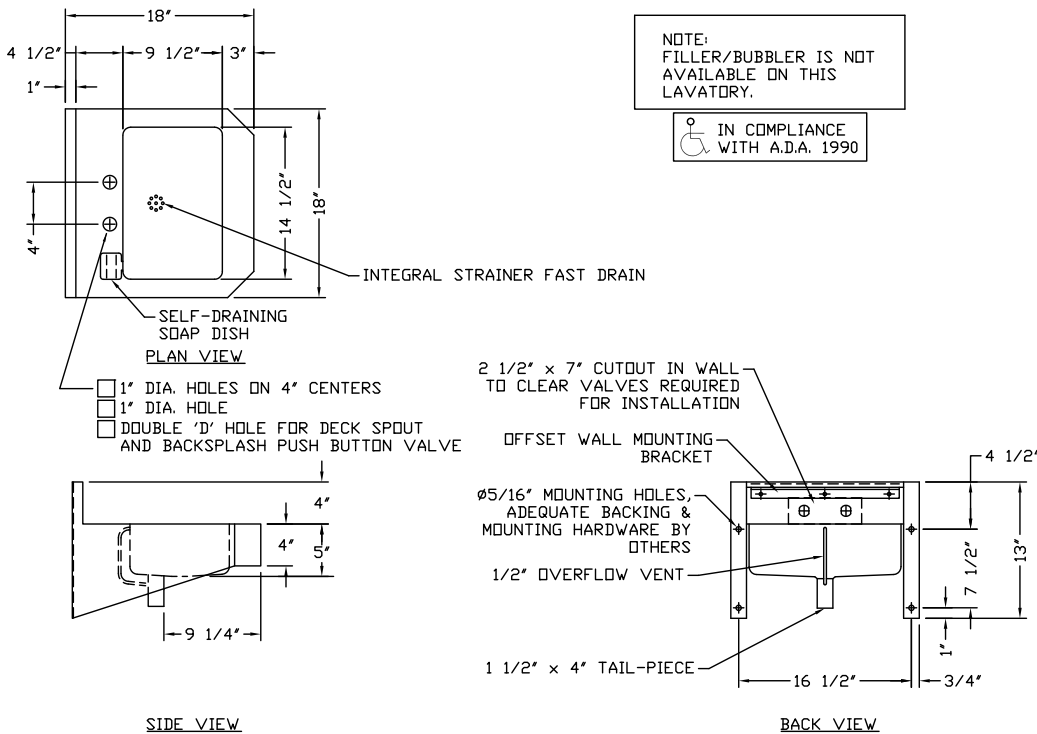
- PS1 Single Temp. Pneu. Self-Closing
- PS2 Dual Temp. Pneu. Self-Closing
- PM1 Single Temp. Pneu. Metering
- PM2 Dual Temp. Pneu. Metering
- EL1 Single Temp. Electronic
- EL2 Dual Temp. Electronic

5.) Lavatory Waste:

- TE Trap Enclosure
- TT Chrome Plated P-Trap

Drawing Approved For Manufacturing By: _____ Date: _____ Company: _____
Wall Thickness: _____ Wall Type: _____

VERIFY ALL DIMENSIONS PRIOR TO ROUGH-IN



To specify fixture and accessories, use the Model Number and Options Guide.
Example: To specify an ES-1015-HC handicap lavatory with deck mounted spout, dual temp. pneumatic metering valve, and chrome plated p-trap. Use the following Willoughby Model Number:
Willoughby Model Number: ES-1015-HC-DMS-PM2-TT

Willoughby Industries, Inc.