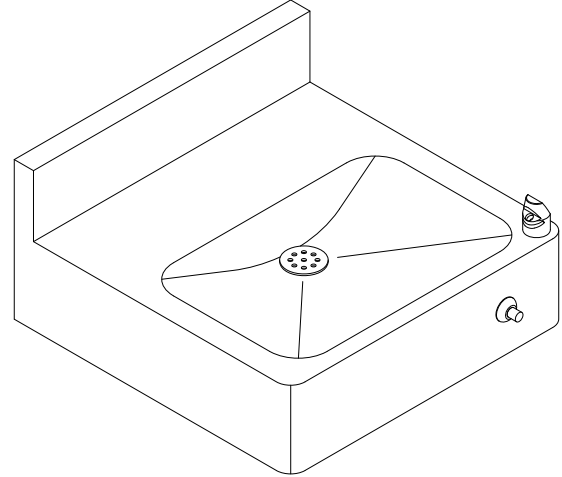


## DF-1015-96-HC Handicap Drinking Fountain



### Recommended Specifications

---

Handicap drinking fountain shall be Willoughby Model No. **DF-1015-96-HC**.

Fixture shall be fabricated from 14 gauge, type 304 stainless steel. The construction shall be all-welded, with exposed stainless surfaces polished to a #4 satin finish.

Standard equipment shall include: rectangular shaped basin, 14 1/2" x 10" x 1" deep, stainless steel bubbler, fast drain with air vent, elbow waste (1 1/2" FIP) and factory

provided single temperature pneumatic self-closing valve. Valve is chase mounted by contractor.

Cabinet interior shall be sound deadened with fire-resistant material.

Anchoring shall be by standard 4-point system: 1/2" threaded rods, nuts and washers shall be furnished for walls up to 8" thick. Unit shall require chase area for installation and maintenance.

# MODEL NUMBER AND OPTIONS:

**1.) Drinking Fountain Type:**

DF

**2.) Base Model Number:**

1015-96-HC 18" Handicap Drinking Fountain

**3.) Bubblers or Spout Selection:**

DB Drinking Fountain Bubbler

**4.) Valve Selection:**

PS1 Single Temp. Pneumatic Self-Closing

**5.) Drinking Fountain Waste:**

EB Elbow Waste (Standard)

LWE Lavatory Waste Extension

LW1 Thru-Wall Extension, P-Trap & Clean-out

**6.) Options:**

MT Metal Template

WS Wall Sleeve

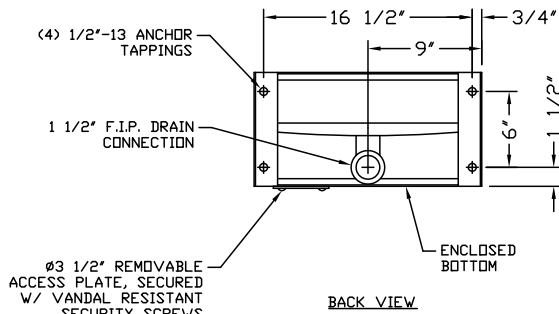
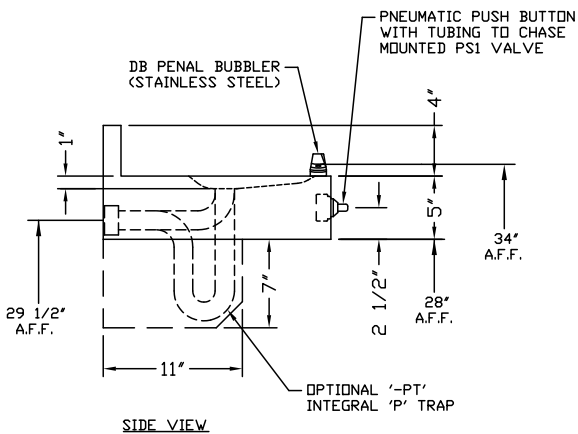
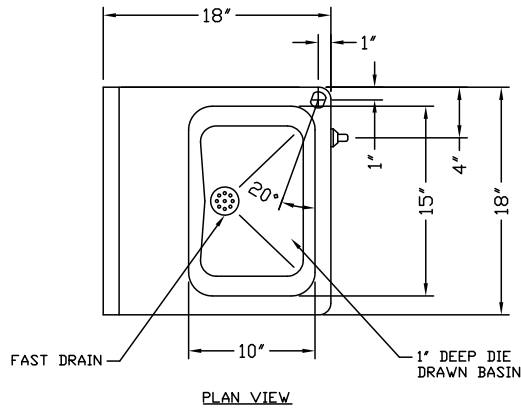
Other: \_\_\_\_\_

Other: \_\_\_\_\_

Drawing Approved For Manufacturing By: \_\_\_\_\_ Date: \_\_\_\_\_ Company: \_\_\_\_\_

Wall Thickness: \_\_\_\_\_ Wall Type: \_\_\_\_\_

**VERIFY ALL DIMENSIONS PRIOR TO ROUGH-IN**



**To specify fixture and accessories, use the Model Number and Options Guide.**  
 Example: To specify an DF-1015-96-HC handicap drinking fountain with drinking fountain bubbler, single temp. pneumatic self-closing valve, and wall sleeve. Use the following Willoughby Model Number:  
 Willoughby Model Number: DF-1015-96-HC-DB-PS1-WS

## Willoughby Industries, Inc.