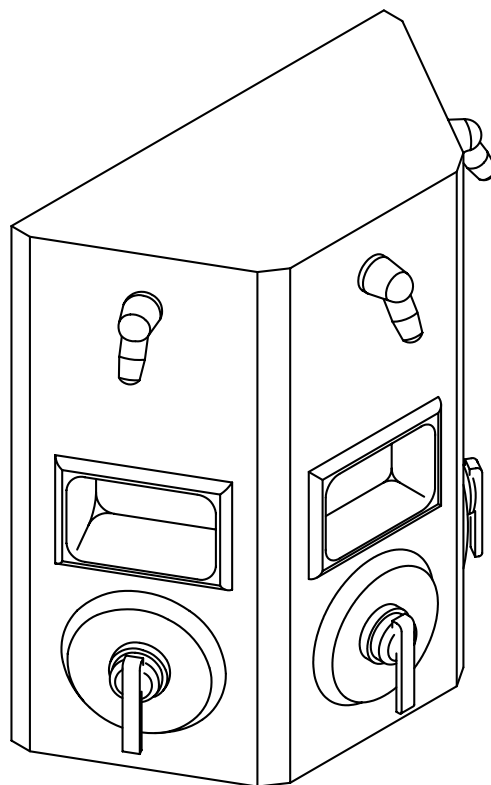


CWTS-Series Three Station Surface Mounted Wall Shower

✓	MODEL NUMBER	VALVE TYPE
	CWTS-PM1	SINGLE TEMP PNEU. METERING
	CWTS-PM2	DUAL TEMP PNEU. METERING
	CWTS-EL1	SINGLE TEMP ELECTRONIC
	CWTS-EL2	DUAL TEMP ELECTRONIC
	CWTS-PB	PRESSURE BALANCING
	CWTS-TSV	THERMOSTATIC
	CWTS-H	SINGLE TEMP COMPRESSION
	CWTS-HC	DUAL TEMP COMPRESSION
	CWTS-NV	NO VALVE



(Some options may be shown)

Recommended Specifications _____

Three station surface mounted wall shower shall be Willoughby Model No. **CWTS-___** (select valve from table above).

Shower face plates shall be fabricated from 16 gauge, type 304 stainless steel with exposed stainless surfaces polished to a #4 satin finish. The shower bracket shall be fabricated from 18 gauge, type 304 stainless steel.

Standard equipment shall include: shower valve _____ (as selected from table above), APS adjustable spray vandal resistant showerhead, and mounting bracket.

Shower face plate shall attach to mounting bracket with vandal resistant stainless steel security screws.

Mounting bracket anchoring hardware by others. Unit requires no chase area for installation and maintenance.

Visit our website at <http://www.willoughby-ind.com>

2210 West Morris Street • P.O. Box 21217 • Indianapolis, IN 46221

(317) 638-2381 • Fax: (317) 638-6110 • (800) 428-4065

MODEL NUMBER AND OPTIONS:

1.) Shower Head Height

(Not Part of Model Number):

- 6'-0"
- 5'-6"
- 5'-0"
- 4'-0"
- Other _____"

2.) Base Model Number:

- CWTS Three Station Surface Mounted Wall Shower

3.) Valve Selection:

- PM1 Single Temp. Pneu. Metering
- PM2 Dual Temp. Pneu. Metering
- EL1 Single Temp. Electronic
- EL2 Dual Temp. Electronic
- PB Pressure Balancing
- TSV Thermostatic Mixing Valve
- H Single Temp. Compression
- HC Dual Temp. Compression
- NV No Valve

4.) Shower Head Options:

- APS Adjustable Penal Shower Head (Standard)
- NPS Non-Adjustable Penal Shower Head
- UBJ Universal Ball Joint Shower Head
- UDBJ Up Down Ball Joint Shower Head
- LBJ Lockable Ball Joint Shower Head
- FX Flexshower

5.) Options:

- BF Barrier Free Station
- GB Grab Bar (Specify Dimensions)
- GX Individual Checkstops
- HL Hi-Lo (2 Mounting Brackets for Flexshower)
- RD Recessed Soap Dish
- SD Surface Mounted Soap Dish
- PS Pipe Shroud (Specify Length)
- Other: _____
- Other: _____

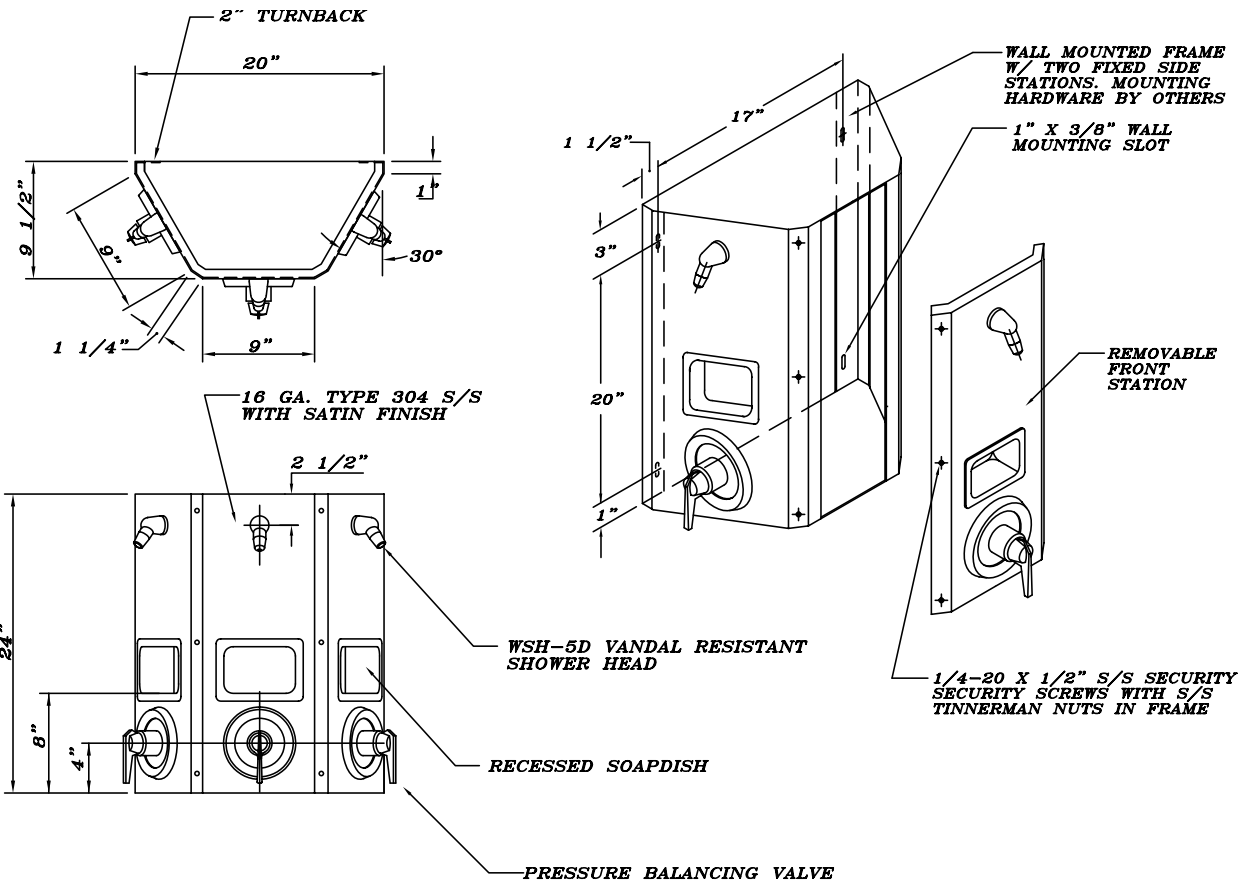
To specify fixture and accessories, use the Model Number and Options Guide.

Example: To specify three station surface mounted wall shower with single temp. pneumatic metering valve, adjustable penal showerhead and recessed mounted soap dish. Use the following Willoughby Model Number: _____

Willoughby Model Number: CWTS-PM1-APS-RD

Drawing Approved For Manufacturing By: _____ Date: _____ Company: _____
 Wall Thickness: _____ Wall Type: _____

VERIFY ALL DIMENSIONS PRIOR TO ROUGH-IN



Willoughby Industries, Inc.