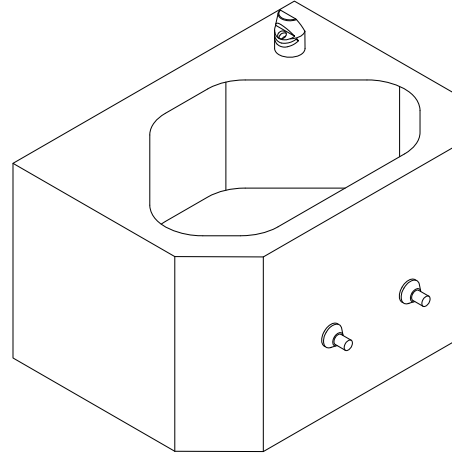


CHS-1013-46

China Alternative Lavatory



Recommended Specifications

Lavatory shall be Willoughby Model No. **CHS-1013-46**

Fixture shall be fabricated from 16 gauge, type 304 stainless steel. The construction shall be all-welded, with exposed stainless surfaces having a bead blast finish. Lavatory underside shall be exposed with non-polished finish.

Standard lavatory shall include: multi-sided bowl, 12 3/4" (324mm) x 8 1/4" (210mm) x 5" (127mm) deep, integral elbow waste extension, and stainless steel deck mounted bubbler.

Anchoring shall be by standard 4-point system: threaded rods, nuts and washers. Unit is wall hung and shall require chase area for installation and maintenance.

Visit our website at <http://www.willoughby-ind.com>

2210 West Morris Street • P.O. Box 21217 • Indianapolis, IN 46221

(317) 638-2381 • Fax: (317) 638-6110 • (800) 428-4065

MODEL NUMBER AND OPTIONS

1.) Lavatory Type:

CHS

2.) Base Model Number:

1013-46-15 15" Lavatory

3.) Bubbler or Spout Selection:

Deck Mounted Bubbler

4.) Valve Selection:

- NV No Valve (Specify Hole Punching)
- PS1 Single Temp. Pneu. Self-Closing
- PS2 Dual Temp. Pneu. Self-Closing
- PM1 Single Temp. Pneu. Metering
- PM2 Dual Temp. Pneu. Metering
- EL1 Single Temp. Electronic
- EL2 Dual Temp. Electronic
- PBH Hemispherical Pushbutton

Valve Manifold Options:

Pneumatic or Electronic only:

- MA2
- MA3
- MA4

5.) Lavatory Waste:

- EB Elbow Waste (Standard)
- PT Integral P-Trap
- LWE Lavatory Waste Extension
- LW1 Thru-Wall Ext, P-Trap
- LW2 Thru-Wall Ext & Clean-out
(Use w/ "PT" option)

TH1 Single Towel Hook
(Specify Location)

TH2 Dual Towel Hook
(Specify Location)

WS Wall Sleeve

ISH Integral Shelf

Other: _____

Other: _____

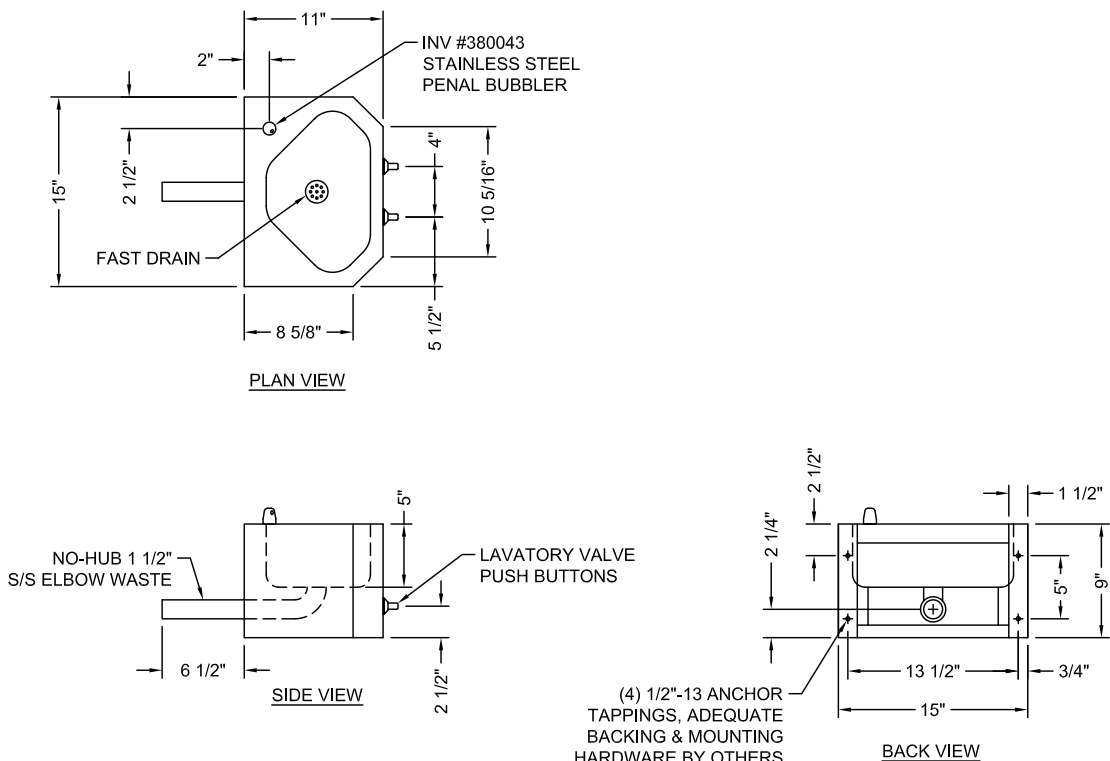
6.) Options:

- MT Metal Template
- TB1 Toothbrush Holder (Specify Location)
- TB2 Dual Toothbrush Holder
(Specify Location)

Drawing Approved For Manufacturing By: _____ Date: _____ Company: _____

Wall Thickness: _____ Wall Type: _____

VERIFY ALL DIMENSIONS PRIOR TO ROUGH-IN



Willoughby Industries, Inc.