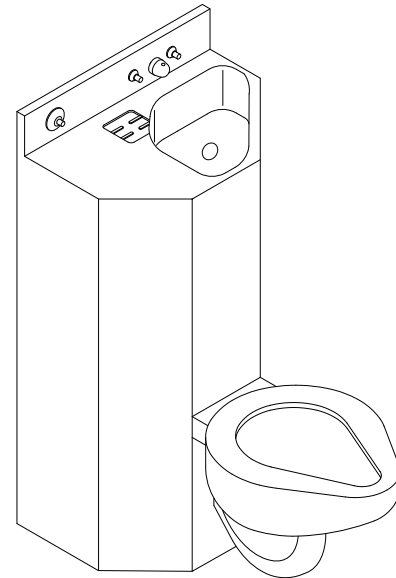


1847 Series Combination Units 18" Wide - Angled Lav Bowl

✓	MODEL NUMBER	FIXTURE BASE LOCATION	TOILET/LAV OUTLETS	LAV LOCATION
	ECW-1847-L-ON	ON-FLOOR	WALL/WALL	LEFT
	ECW-1847-R-ON	ON-FLOOR	WALL/WALL	RIGHT
	ECW-1847-L-OF	OFF-FLOOR	WALL/WALL	LEFT
	ECW-1847-R-OF	OFF-FLOOR	WALL/WALL	RIGHT
	ECF-1847-L-ON	ON-FLOOR	FLOOR/WALL	LEFT
	ECF-1847-R-ON	ON-FLOOR	FLOOR/WALL	RIGHT



(Right hand unit shown)

Recommended Specifications

Combination lavatory/toilet shall be Willoughby Model No. **EC** ___-**1847**-___-___ (select from table above).

Fixture shall be fabricated from 14 gauge, type 304 stainless steel. The construction shall be all-welded, with exposed stainless surfaces polished to a #4 satin finish.

Standard toilet shall include: elongated toilet bowl with contoured seat, integral crevice-free self-draining flushing rim with positive afterfill and fully enclosed 2 1/2" O.D. trap which shall maintain a minimum 2" seal and pass a 2 1/8" ball. Toilet shall be blowout type which requires 35 psi minimum flushing pressure.

Standard lavatory shall include: multi-sided bowl, 12 3/4 x 8 1/4" x 5" deep, stainless steel penal filler/ bubbler, fast drain with air vent, elbow waste (1 1/2" FIP) and self-draining soap dishes.

Fixture shall withstand loadings up to 2,000 lbs. with no measurable deflection and loadings up to 5,000 lbs. with no permanent damage.

Cabinet interior shall be sound deadened with fire-resistant material.

Anchoring shall be by standard 4-point system: 1/2" threaded rods, nuts and washers shall be furnished for walls up to 8" thick. Unit shall require chase area for installation and maintenance.

On back to back fixture installations do not use standard cross type waste fitting: cross flow may result due to blowout jet action. Use sanitary or offset type waste fittings.

Note: for 3 1/2 gallon flush, unit will pass a 2 5/8" ball.

Visit our website at <http://www.willoughby-ind.com>

2210 West Morris Street • P.O. Box 21217 • Indianapolis, IN 46221

(317) 638-2381 • Fax: (317) 638-6110 • (800) 428-4065

MODEL NUMBER AND OPTIONS:

1.) Toilet Waste Location:

- ECW Wall
- ECF Floor

2.) Base Model Number:

- 1847 18" Lav-Toilet Combination

3.) Lav Bowl Orientation:

- L Angled Left
- R Angled Right

4.) Fixture Mounting:

- OF Off-Floor
- ON On-Floor

5.) Bubbler Selection:

- BP Penal Bubbler
- BC Code Bubbler
- FL Lav/Filler
- BPH Anti-Suicide Bubbler

6.) Flush Valve GPF's (Must Specify):

- 1.6 GPF (Standard)
- 3.5 GPF

7.) Valve Selection:

- NV No Valve
- PS1 Single Temp. Pneu. Self-Closing
- PS2 Dual Temp. Pneu. Self-Closing
- PM1 Single Temp. Pneu. Metering
- PM2 Dual Temp. Pneu. Metering
- EL1 Single Temp. Electronic
- EL2 Dual Temp. Electronic
- PBH Anti-Suicide Pushbutton

Valve Manifold Options:

Pneumatic or Electronic Only:

- MA2 MA3 MA4

8.) Lavatory Waste:

- EB Elbow Waste (Standard)
- PT Integral P-Trap
- LWE Lavatory Waste Extension
- OV Lavatory Overflow
- CW1 Combined Waste w/o Clean-out
- CW2 Combined Waste w/ Clean-out
- SD Slow Drain
- LW1 Thru-Wall Ext, P-Trap
- LW2 Thru-Wall Ext & Clean-out

9.) Toilet Waste:

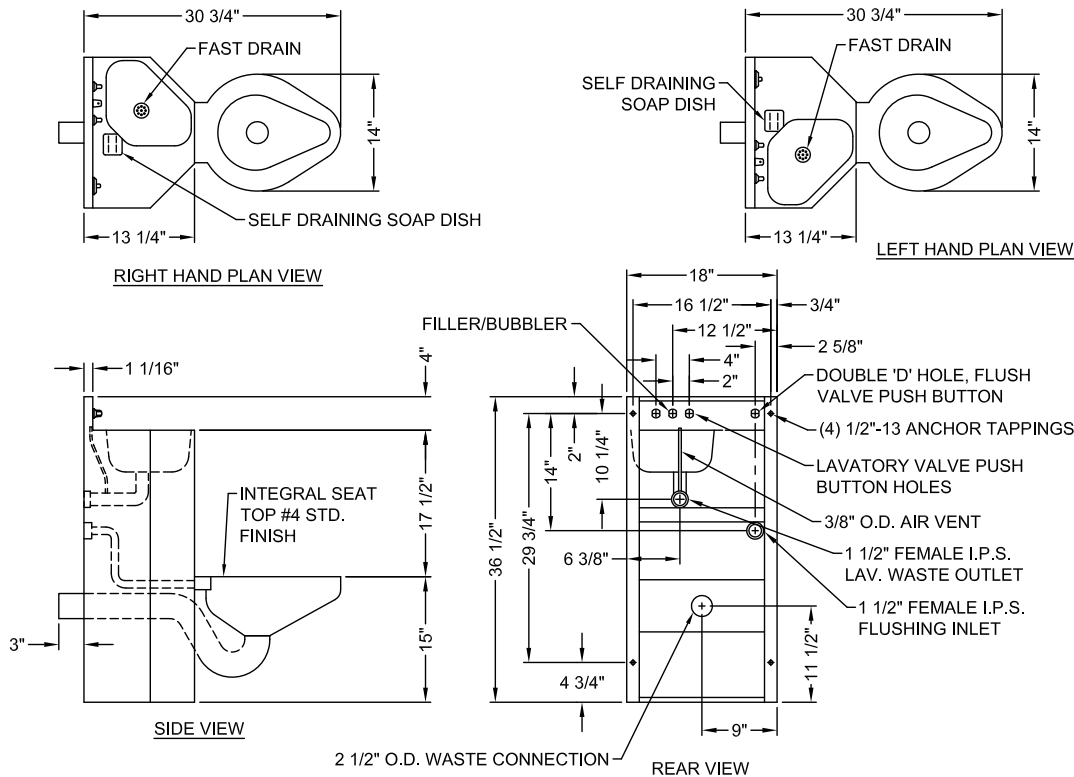
- TWE Toilet Waste Extension
- TW1 No-Hub Waste w/ 3" Clean-out (Requires Flanged Unit)
- TW2 No-Hub Waste w/o Clean-out (Requires Flanged Unit)
- TW3 Coupling & 3" Clean-out for TWE
- TW4 Floor Outlet Waste Conn.
- TW5 Coupling & 4" Clean-out for TWE
- PC3 Pinned Clean-out Plug PVC-3"
- PCB3 Pinned Clean-out Plug Brass-3"
- PC4 Pinned Clean-out Plug PVC-4"
- PCB4 Pinned Clean-out Plug Brass-4"
- WO3 3" Toilet P-Trap (3.5 GPF Only)
- COH Clean-out Hook
- GW Gasketed Waste

10.) Options:

- T4 Manual Reset Toilet Overflow Preventer (Requires Hydraulic Flush Valve)
- T4A Auto Reset Toilet Overflow Preventer (Requires Hydraulic Flush Valve)
- LF Low-Flow, 1.6 Gallon Flush
- HS Hinged Plastic Seat
 - Black
 - White
- RTH Recessed Tissue Holder (Specify Loc)
- ISH Integral Shelf
- TB1 Toothbrush Holder (Specify Loc)
- TB2 Dual Toothbrush Holder (Specify Loc)
- TH1 Single Towel Hook (Specify Loc)
- TH2 Dual Towel Hook (Specify Loc)
- HPS High Polish Seat
- VG Ventilation Grille (Specify Loc & Free Area)
- MT Metal Template
- WS Wall Sleeve
- TFE Toilet Flush Extension
- FVT Flush Valve Connection
- FV Flush Valve
- SK Anti-Suicide Skirt
- TG 12 Gauge Cabinet
- TSC Toilet Shipping Cover
- Other: _____
- Other: _____

Approved For Manufacturing By: _____ Date: _____ Company: _____
 Wall Thickness _____ Wall Type _____

VERIFY ALL DIMENSIONS PRIOR TO ROUGH-IN



Willoughby Industries, Inc.